



KÖSTER T Roof Drain Extension

Technical Data Sheet RT 914 014

Issued: 2019-10-07

Extension element with foamed-in KÖSTER TPO-F cuff, suitable for KÖSTER T roof drain

Features

- Extension element for roofs with insulation
- Must be combined with KÖSTER T drains
- Thermally insulated
- Excellent weathering stability (UV / IR Radiation)
- Resistant to common influences from environmental Pollution
- Shatterproof foliage / gravel trap
- hock and impact resistant
- Durable
- Excellent functionality thanks to tested, standard-compliant drain values

Technical Data

- Body: polyurethane, yellow
- Connection cuff: KÖSTER TPO 2.0 F
- Dimension cuff: 495 x 495 mm
- Connection diameter: 132 mm
- Pipe length: 251 mm
- Bridging the thermal insulation of 60 - 220 mm
- With multi-lip sealing ring for backflow protection
- Fire behavior: Class B2
- Temperature resistance: - 20 ° C / + 80 °

Fields of Application

Extension element with KÖSTER TPO-F cuff for insulation with thickness from, 60 to 220 mm in combine with KÖSTER T drain.

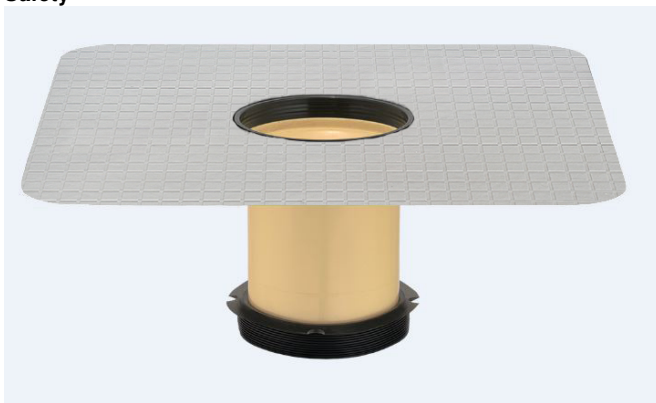
Application

The connection of the KÖSTER roofing membranes made of TPO and ECB takes place by means of hot air welding to the TPO F-cuff. The KÖSTER roof drain is installed in accordance with the KÖSTER installation instructions, the KÖSTER TPO installation instructions and the technical manual of KÖSTER BAUCHEMIE AG.

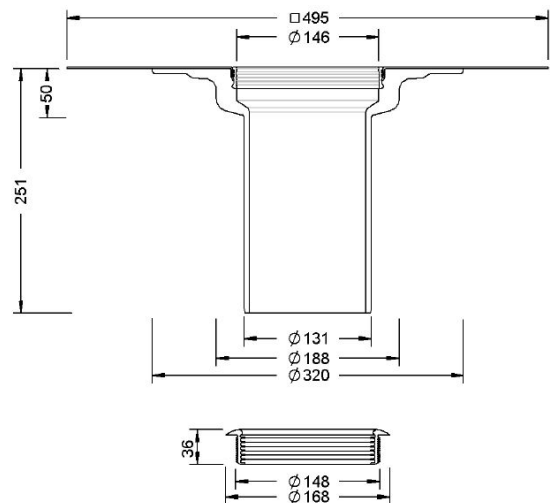
Packaging

RT 914 014 piece

Safety



Other



Related products

KÖSTER TPO 1.5	Prod. code RT 815
KÖSTER TPO 1.5 SK (FR)	Prod. code RT 815 SK (FR)
KÖSTER TPO 1.8	Prod. code RT 818
KÖSTER TPO 2.0	Prod. code RT 820
KÖSTER TPO 2.0 F	Prod. code RT 820 F
KÖSTER TPO 2.0 F (FR)	Prod. code RT 820 F (FR)
KÖSTER TPO 2.0 SK (FR)	Prod. code RT 820 SK (FR)
KÖSTER Roof Drain T DN 100 vertical	Prod. code RT 914 010 S

The information contained in this technical data sheet is based on the results of our research and on our practical experience in the field. All given test data are average values which have been obtained under defined conditions. The proper and thereby effective and successful application of our products is not subject to our control. The installer is responsible for the correct application under consideration of the specific conditions of the construction site and for the final results of the construction process. This may require adjustments to the recommendations given here for standard cases. Specifications made by our employees or representatives which exceed the specifications contained in this technical guideline require written confirmation. The valid standards for testing and installation, technical guidelines, and acknowledged rules of technology have to be adhered to at all times. The warranty can and is therefore only applied to the quality of our products within the scope of our terms and conditions, not however, for their effective and successful application. This guideline has been technically revised; all previous versions are invalid.